

146-842-190 Yard Boss GT-1845 (1986)
Body Assembly

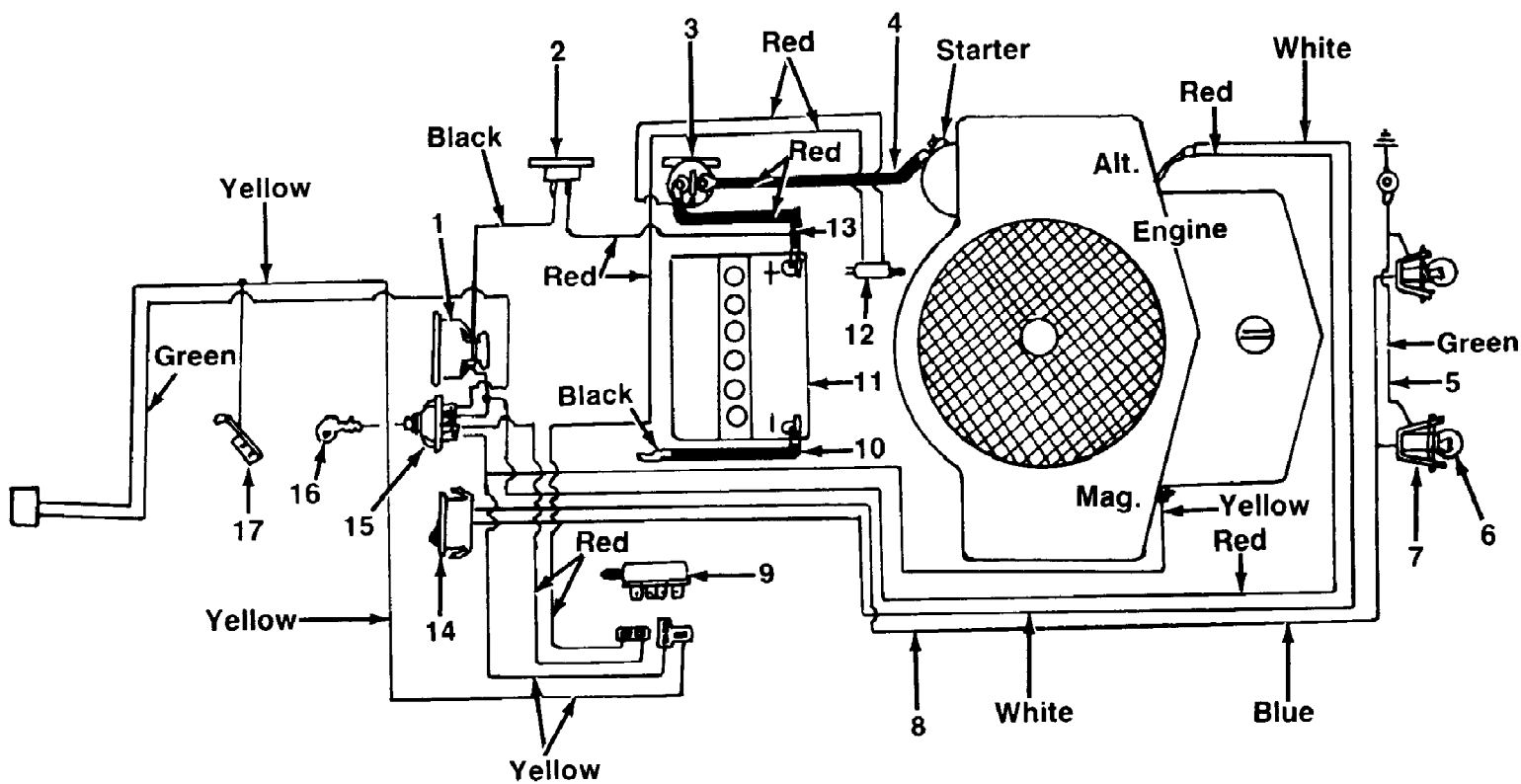
Page 2 of 26

Ref #	Part Number	Qty	S/P/F	Description
1	13808	1		Hood
2	710-0286	1	/P	Truss Mach. Scr. 1/4-20 x .50" Lg.
3	736-0173	1	/P	Fl-Wash. 1/4" I.D.
4	736-0329	1	S	L-Wash. 1/4" I.D.*
5	712-0287	1	S	Hex Nut 1/4-20 Thd.
6	710-0255	1	S	Truss Mach. Scr. 1/4-20 x .75" Lg.*
7	727-0199	1		Hood Stop
8	710-0351	1	/P	Hex Tap Scr. #10 x .50" Lg.
9	712-0344	1		Speed Nut #10Z
10	710-0599	1	/P	Hex Thd. Rolling Scr. 1/4" x .50" Lg.
11	749-0651	1		Grille Positioning Rod
12	09960	1		Head Lamp Retainer
13	722-0135	1		PVC Foam Strip 1/2" X 1.00" x 2.00" Lg.
14	731-0465	1		Head Lamp Bezel
15	710-0148	1	/P	Truss Mach. Scr. #10-24 x .38" Lg.
16	710-0425	1	/P	Truss Mach. Scr. #10-24 x .62" Lg.
17	710-0118	1	S	Hex Bolt 5/16-18 x .75" Lg.
18	723-0347	1		Center Moulding
19	13800	1		Grille Chrome
20	13730	1		Grille Insert Screen
21	14748	1		Grille Side Panel R.H.
	14749	1		Grille Side Panel L.H. (Not Shown)
22	735-0144	1		Rubber Wash. .50" I.D. x 1.0" O.D. .25 Thk.
23	725-0222	1	S	Head Lamp
24	731-0730	1		Trans. Cover-Bezel
25	710-0227	1	/P	Hex AB-Tap Scr. #8 x .50" Lg.
26	731-0405	1		Snap Bushing
27	736-0222	1	S	Insulator Nut Plate
28	725-0759	1	S	Switch Spring
29	732-0476	1		Shift Lever Spring
30	712-0147	1	/P	Speed Nut #10-24 U-Type
31	736-0119	1	S	L-Wash. 5/16" I.D.
32	712-0267	1	S	Hex Nut 5/16-18 Thd.
33	13863	1		Grille Mount Brkt. L.H.
34	13820	1		Lower Frame Ass'y.
35	13862	1		Grille Mount Brkt. R.H.
36	710-0726	1	/P	Hex Thd. Rolling Scr. 5/16" x .75" Lg.
37	751-0173	1	S	Gas Line 46" Lg.
38	726-0207	1		Hose Clamp 3/8"
39	710-0118	1	S	Hex Bolt 5/16-18 x .75" Lg.
40	738-0435	1		Running Board Rod
41	723-0360	1		Foot Pad
42	13828	1		Running Board R.H.
	13827	1		Running Board L.H. (Not Shown)
43	710-0323	1	/P	Truss Mach. Scr. 5/16-18 x .75" Lg.
44	712-0267	1	S	Hex Nut 5/16-18 Thd.
45	736-0242	1	/P	Bell-Wash. .34" I.D. x .87" O.D.
46	15846	1	S	Fender Brkt. R.H.
	15847	1		Fender Brkt. L.H. (Not Shown)
47	710-0118	1	S	Hex Bolt 5/16-18 x .75" Lg.*
48	712-0287	1	S	Hex Nut 1/4-20 Thd.
49	736-0329	1	S	L-Wash. 1/4" I.D.
50	738-0482			

146-842-190 Yard Boss GT-1845 (1986)
Body Assembly

Page 3 of 26

Ref #	Part Number	Qty	S/P/F	Description
51	714-0147	1		Internal Cotter Pin
52	13813	1		Hitch Plate
53	751-3054	1		90ø Nipple
54	735-0149	1	S	Bushing (Fuel Tank)
55	751-0367	1		Fuel Tank
56	16172	1		Trans. Cover
57	15849	1		Seat Mounting Channel
58	710-0167	1	/P	Carriage Bolt 1/4-20 x .50" Lg.
59	15802	1		Seat Bracket R.H.
60	710-0726	1	/P	Hex Thd. Rolling Scr. 5/16-24 x .75" Lg.
61	831-0823	1	S	Throttle Control Box Ass'y.
62	746-0634	1	S	Throttle Control Wire
63	731-0511	1	/P	Trim Strip 81"
64	15886	1		Rear Fender
65	731-0555	1	S	Grommet
66	710-0607	1	/P	Hex Wash. Hd. Self-Tap Scr. 5/16-18 x .50" Lg.
67	732-0431	1		Seat Spring
68	751-0370	1		Gas Cap w/ Gauge
69	15803	1		Seat Bracket L.H.
70	736-0242	1	/P	Bell-Wash. .34" I.D. x .88" O.D.
71	710-0118	1	S	Hex Bolt 5/16-18 x .75" Lg.
72	16425	1		Dash Panel Ass'y.
73	710-0726	1	/P	Hex Thd. Rolling Scr. 5/16-24 x .75" Lg.
74	710-0166	1	S	Truss Mach. Scr. 1/4-20 x 1.0" Lg.
75	712-0158	1	S	Hex Cent. L-Nut 5/16-18 Thd.
76	710-0623	1	/P	Hex Wash. Hd. AB-Tap Scr. 3/8 x .75" Lg.
77	15607	1	S	Seat Pivot Bracket
78	757-0308	1		Seat Ass'y. (w/o Safety Switch)
	757-0318	1	S	Seat Ass'y. (w/ Safety Switch)
79	731-0511	1	/P	Vinyl Moulding Strip 30"
80	723-0296	1		Hood Latch Ass'y.
81	725-0925	1	S	Ammeter
82	725-0201	1	S	Ignition Key
83	725-0267	1	S	Ignition Switch
84	725-0634	1	S	Light Switch
85	746-0613	1	S	Choke Control Comp.
86	736-0222	1	S	External Wash. 1/4" I.D.
87	725-0459	1	S	Circuit Breaker 8 Amp.
88	731-0511	1	/P	Vinyl Moulding Strip 29"
89	710-0779	1	S	Truss Mach. AB-Tap Scr. #10 x .50" Lg.
90	725-0771	1	S	Solenoid
91	710-0289	1	S	Hex Bolt 1/4-20 x .50" Lg.
92	712-0271	1	/P	Hex Sems Nut 1/4-20 Thd.

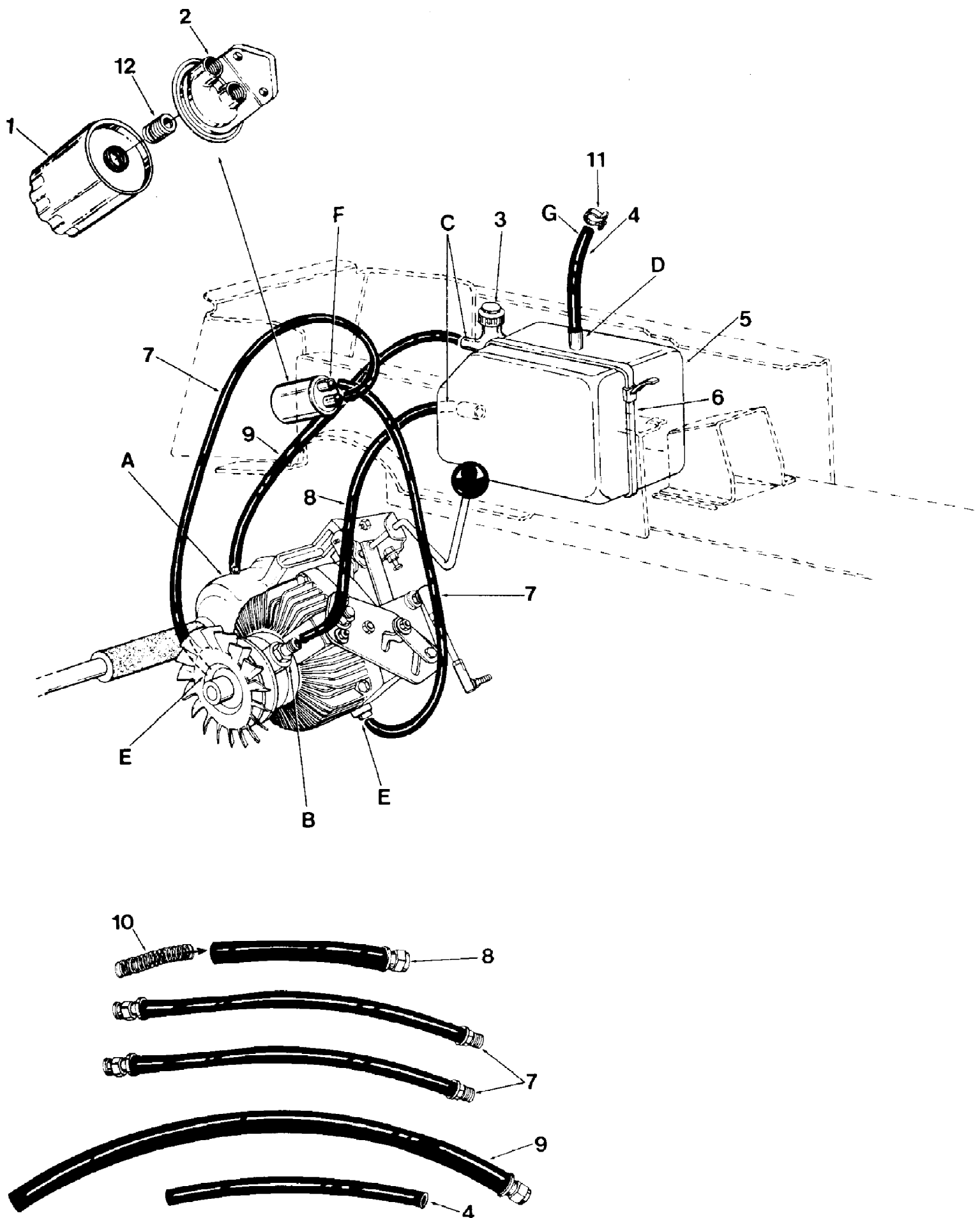


146-842-190 Yard Boss GT-1845 (1986)
Electrical System

Page 5 of 26

Ref #	Part Number	Qty	S/P/F	Description
1	725-0925	1	S	Ammeter
2	725-0459	1	S	Circuit Breaker
3	725-0771	1	S	Solenoid
4	725-0561	1	S	Electrical Cable
5	725-0916	1	S	Double 14 x 5 Wire Lead
6	725-0963	1	S	Lamp 12V
7	725-1058	1	S	Twist Lock Lamp Socket
8	725-1134	1	S	Wire Harness
9	725-0465	1	S	Safety Switch Blade
10	725-0996	1	S	6 Ga. Elec. Wire Black 7.5" Lg.
11	725-0453	1	S	Battery 12V
12	725-0268	1	S	Safety Switch
13	725-0563	1		Electric Wire
14	725-0634	1	S	Headlight Switch
15	725-0267	1	S	Ignition Switch
16	725-0201	1	S	Ignition Key
17	725-0759	1	S	Switch Spring

146-842-190 Yard Boss GT-1845 (1986)
Hydraulic Assembly

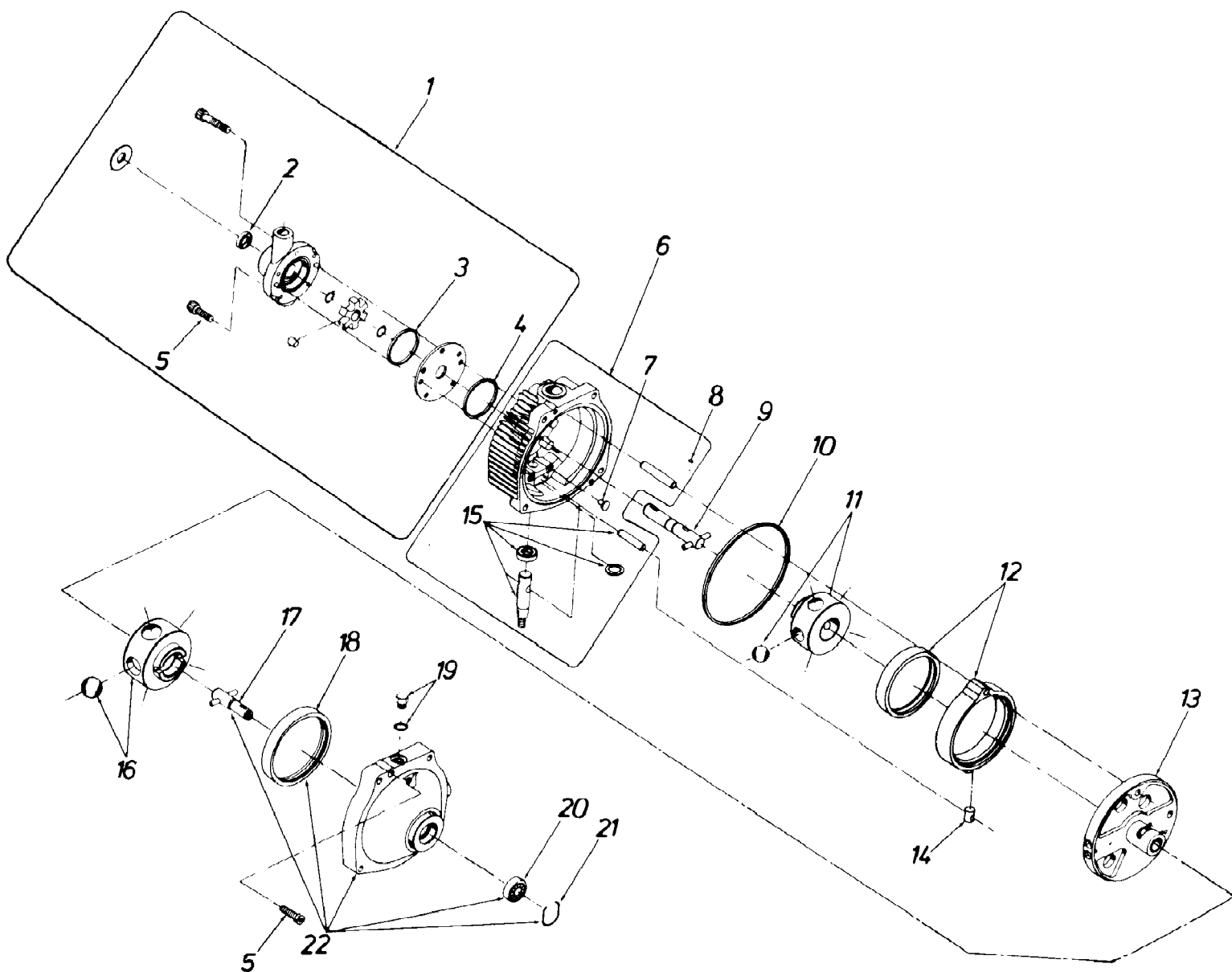


146-842-190 Yard Boss GT-1845 (1986)
Hydraulic Assembly

Page 7 of 26

Ref #	Part Number	Qty	S/P/F	Description
1	727-0162	1		Oil Filter
2	727-0163	1		Filter Base
3	737-0203	1		Oil Reservoir Cap
4	751-0173	1	S	Gas Line 13" Lg.
5	737-0202	1		Oil Reservoir
6	726-0230	1	/P	Cable Tie 34.25" Lg.
7	727-0303	1		Hose Ass'y. 3/8" I.D. x 16.5" Lg.
8	727-0305	1		Hose Ass'y. 5/8" I.D. x 9" Lg.
9	727-0304	1		Hose Ass'y. 1/2" I.D.
10		1		Spring Part of Ref. No. 8
11	726-0161	1		Wire Retainer
12	726-0164	1		Plug Expansion 13/16

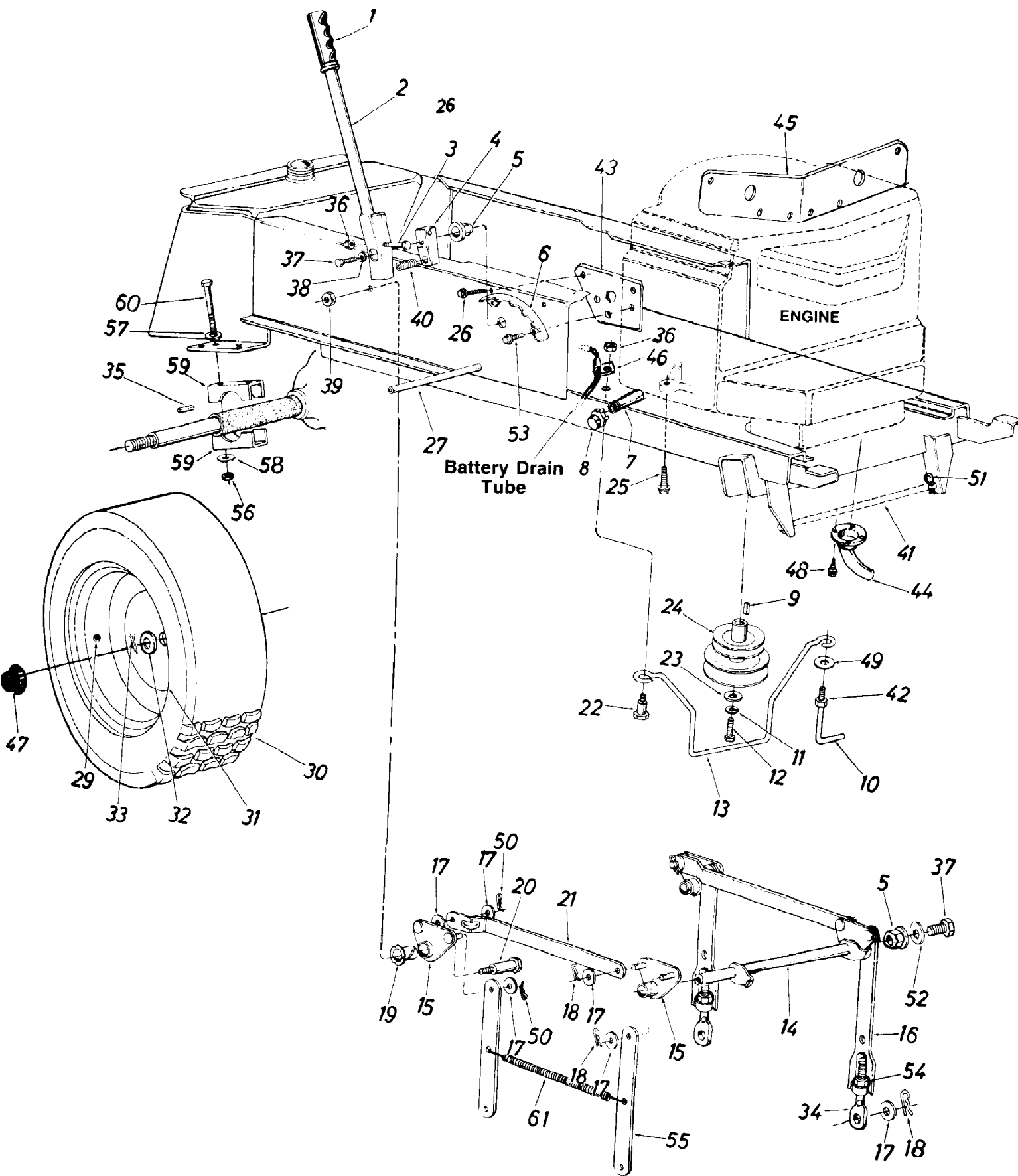
146-842-190 Yard Boss GT-1845 (1986)
M11 Hydrostatic Transmission



146-842-190 Yard Boss GT-1845 (1986)
M11 Hydrostatic Transmission

Page 9 of 26

Ref #	Part Number	Qty	S/P/F	Description
1	ET-990147-000	1		Charge Pump Kit
2	ET-093955-000	1	S	Oil Seal
3	ET-008771-036	1		Square Cut Seal Ring .036
4	ET-008771-038	1		Square Cut Seal Ring .038
5	ET-095912-125	1		Socket Head Cap Screw 5/16-18 x 1.25" Long
6	ET-990114-000	1		Cover Subassembly
7	ET-101597-000	1		Button
8	ET-090880-000	1		Drive Pin
9	ET-024490-000	1		Input Shaft Subassembly
10	ET-008771-166	1	/P	Square Cut Seal Ring .166
11	ET-101470-000	1		Pump Rotor Ball Subassembly
12	ET-102603-000	1		Cam Ring Subassembly
13	ET-101975-000	1		Pintle Subassembly
14	ET-097841-000	1		Cam Ring Insert
15	ET-990136-000	1		Control Shaft Kit
16	ET-101853-000	1		Motor Rotor Ball Subassembly
17	ET-024608-000	1		Output Shaft Subassembly
18	ET-040525-000	1		Motor Race
19	ET-025083-006	1		"O"-Ring Plug Subassembly
20	ET-090797-000	1		Ball Bearing (Output)
21	ET-101680-156	1		Retaining Ring
22	ET-102576-000	1		Body Subassembly



146-842-190 Yard Boss GT-1845 (1986)
Rear Wheel Assembly

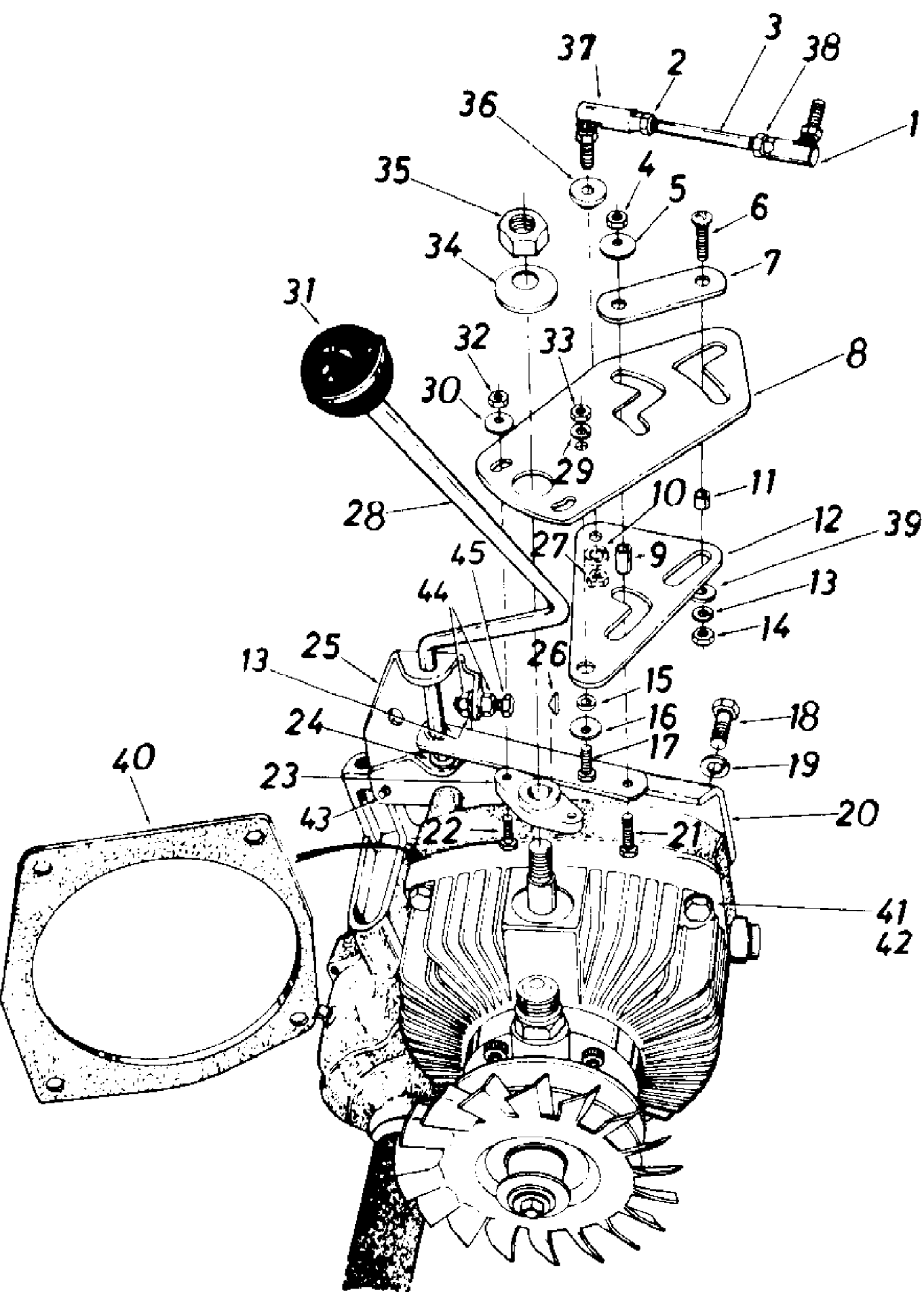
Page 11 of 26

Ref #	Part Number	Qty	S/P/F	Description
1	720-0157	1	S	Grip
2	14233	1	S	Lift Handle Ass'y.
3	710-0442	1	S	Hex Scr. 5/16-18 x 1.50" Lg.
4	748-0274	1	S	Lift Shaft Drive
5	741-0225	1	S	Plastic Hex Brg. 5/8" I.D.
6	14231	1	S	Index Brkt. Deck Lift
7	737-0164	1	S	Pipe Nipple 3/8-18 Npt.
8	737-0143	1	S	Pipe Cap 3/8-18 Npt.
9	714-0118	1	/P	Sq. Key 1/4" x 1/4" x 1.50" Lg.
10	747-0216	1		Belt Guard Lock Pin
11	736-0171	1	S	L-Wash. 7/16" Scr.
12	710-0757	1	/P	Hex Scr 7/16-20 x 1.50" Lg.
13	747-0299	1		Belt Guard
14	13889	1		Lift Shaft Ass'y.
15	13895	1		Lift Pivot Brkt. Ass'y.
16	16092	1		Adj. Deck Lift Link
17	736-0192	1	S	Fl-Wash. 1/2" I.D. x 1.00" O.D. x .090
18	714-0101	1	S	Hairpin Cotter
19	741-0295	1	S	Nyliner 5/8" I.D. x .88" Lg.
20	738-0445	1	S	Shld. Scr. 5/8" Dia. x .96" Lg. 3/8-16
21	13790	1	S	Connecting Link
22	738-0296	1	S	Shld. Scr. .437 Dia. x .268 Lg. 5/16-18
23	736-0322	1	/P	Flat Wash. .44" I.D. x 1.25" O.D. x .17
24	756-0328	1		Two-Step Engine Pulley 4.75" & 5.56
25	710-0502	1	S	Hex Wash. Hd. Scr. 3/8-16 x 1.25" Lg.
26	710-0600	1	/P	Hex Thd. Rolling Scr. 5/16-24 x .50" Lg.
27	738-0435	1		Running Board Rod
29	734-0255	1	S	Air Valve
30	734-1005	1		Rear Wheel Ass'y. Comp.
	734-0322	1		Tire Only
31	734-1015	1		Rear Wheel Rim Only
32	736-0345	1	S	Flat Washer
33	714-0142	1	/P	Cotter Pin 3/16" Dia. x 1.50" Lg.
34	711-0773	1		Eye Bolt Adj. Link 1/2-13 Thd.
35	714-0120	1		Sq. Key 1/4 x 3.0"
36	712-0158	1	S	Hex Cent. L-Nut 5/16-18 Thd.
37	710-0237	1	/P	Hex Scr. 5/16-24 x .62" Lg.
38	736-0119	1	S	L-Wash. 5/16" Scr.
39	712-0181	1	S	Hex Top L-Nut 3/8-16 Thd.
40	732-0369	1	S	Compression Spring
41	738-0392	1		Deck Connecting Rod
42	712-0123	1	/P	Hex Nut 5/16-24 Thd.
43	14170	1	S	Index Brkt. Reinforcement Plate
44	751-0275	1		Exhaust Pipe
45	14282	1		Heat Shield
46	726-0175	1	/P	Mounting Clamp
47	731-0556	1		Hub Cap
48	710-0224	1	S	Hex Wash. Hd. AB-Tap Scr. #10 x .50" Lg.
49	736-0242	1	/P	Belle-Wash..39" I.D.
50	714-0111	1	S	Cotter Pin .09 Dia. x 1.0" Lg.
51	714-0149	1	S	Int. Cotter Pin
52	736-0231	1	S	Flat Wash. .34" I.D. x 1.12" O.D. x .125
53	710-0726	1		Hex Scr. 5/16 x .62" Lg.

146-842-190 Yard Boss GT-1845 (1986)
Rear Wheel Assembly

Page 12 of 26

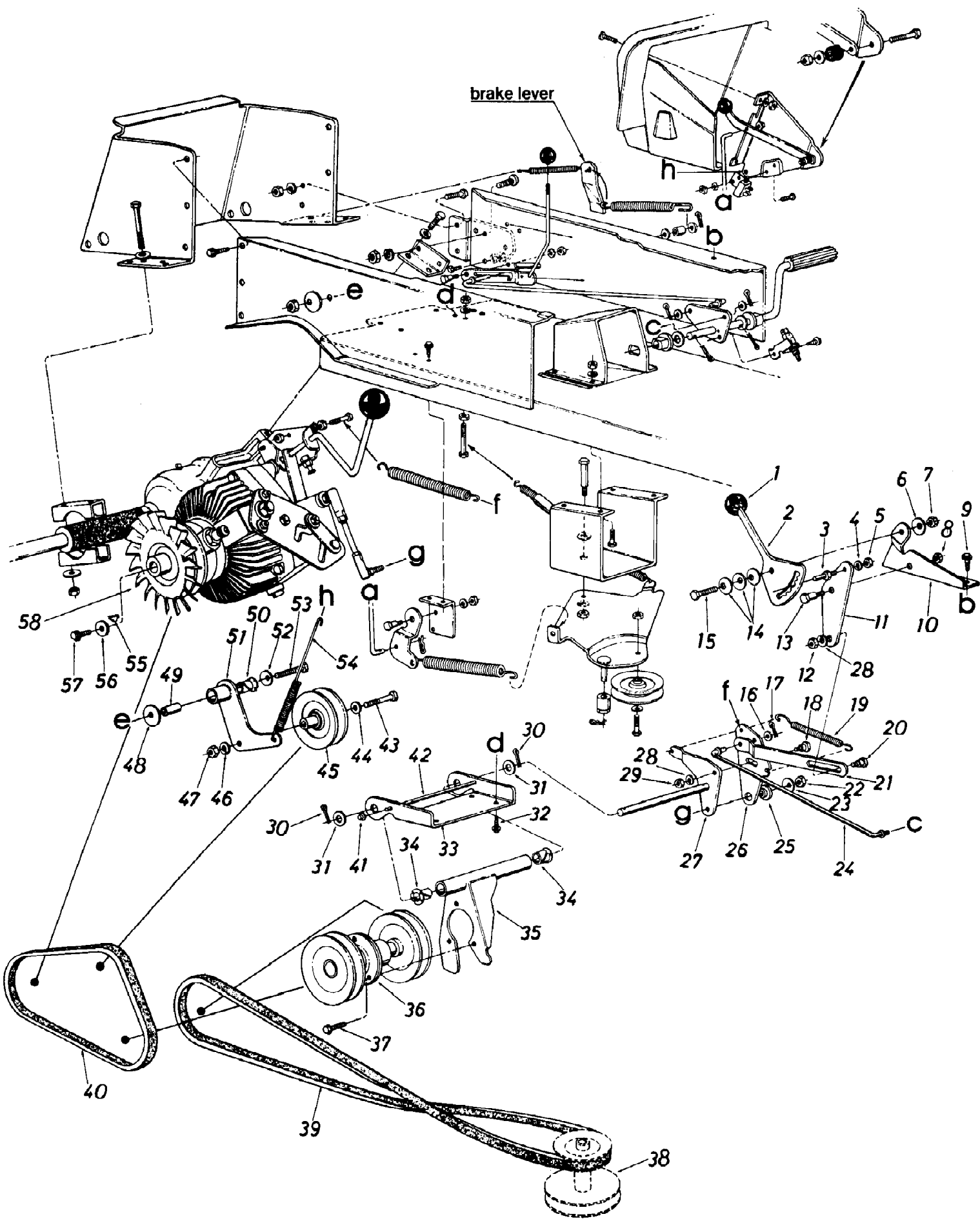
Ref #	Part Number	Qty	S/P/F	Description
54	712-0206	1	S	Hex Nut 1/2-13 Thd.
55	14399	1	S	Deck Link
56	712-0798	1	/P	Hex Nut 3/8-16 Thd.
57	736-0262	1	/P	Fl-Wash. .385" I.D. x .87" O.D.
58	736-0331	1	/P	Bell-Wash. .39" I.D. x 1.13" O.D.
59	13892	1		Rear Axle Bracket
60	710-0316	1		Hex Bolt 3/8-16 x 3.5" Lg.
61	732-0487	1		Extension Spring 8.25" Lg.



146-842-190 Yard Boss GT-1845 (1986)
Shift Lever Assembly

Page 14 of 26

Ref #	Part Number	Qty	S/P/F	Description
1	723-0156	1	S	Ball Joint Ass'y. 3/8-24 Thd.
2	712-0312	1	S	Hex Nut 3/8-24 Thd. (L.H. Threads)
3	747-0508	1		Control Rod 3/8-24 x 3.75"
4	712-0241	1	/P	Hex Nut 3/8-24 Thd.
5	736-0267	1	S	Fl-Wash. .385" I.D. x .87" O.D.
6	1511-047	1		Truss Mach. Scr. Phil. 5/16-18 x 1.00" Lg.
7	16157	1		Locking Link
8	16159	1		Pintle Main Control Plate
9	750-0630	1		Spacer .377" I.D. x .500" O.D. x .830" Lg.
10	736-0169	1	S	L-Wash. 3/8" I.D.
11	748-0304	1		Spacer .315" I.D. x .500" O.D. x .350
12	16160	1		Pintle Drive Plate
13	736-0119	1	S	L-Wash. 5/16" I.D.
14	712-0267	1	S	Hex Nut 5/16-18 Thd.
15	750-0535	1	S	Spacer .38" I.D. x .227" Lg.
16	736-0267	1	S	Fl-Wash. .385" I.D. x .87" O.D.
17	710-0152	1	S	Hex Bolt 3/8-24 x 1.00" Lg.
18	710-0514	1	/P	Hex Bolt 3/8-16 x 1.0" Lg. (Grade 5)
19	736-0169	1	S	L-Wash. 3/8" I.D.
20	16151	1		Shift Lever Bracket
21	710-0191	1	/P	Hex Bolt 3/8-24 x 1.25" Lg.
22	710-0412	1	/P	Hex Bolt 1/4-28 x .75" Lg.
23	748-0302	1		Pintle Hub
24	741-0407	1		Nyliner .375" Dia. x .140
25	16153	1		Shift Lever Bracket Upper
26	714-0131	1		#5 Hi-Pro Key 1/8 x 5/8 Dia.
27	712-0241	1	/P	Hex Nut 3/8-24 Thd.
28	16225	1		Shift Lever Ass'y.
29	736-0169	1	S	L-Wash. 3/8" I.D.
30	736-0267	1	S	Fl-Wash. .385" I.D. x .87" O.D.
31	720-0175	1	S	Gear Shift Knob
32	712-0138	1	S	Hex Nut 1/4-28 Thd.
33	712-0241	1	/P	Hex Nut 3/8-24 Thd.
34	736-0253	1	S	Bell-Wash. .505" I.D. x 1.00" O.D.
35	712-0206	1	S	Hex Nut 1/2-13 Thd.
36	738-0347	1	S	Shld. Spacer .625" I.D.
37	723-0351	1	S	Ball Joint Ass'y. 3/8-24 L.H. Thd.
38	712-0711	1	/P	Hex Jam Nut 3/8-24 Thd.
39	736-0343	1	/P	Fl-Wash. .330" I.D. x 1.25" O.D.
40	721-0116	1		Gasket
41	710-0933	3		Hex Bolt 3/8-16 x 2.75" Lg. (Gr. 5)
	710-0944	1	/P	Hex Bolt 3/8-16 x 4.25" Lg. (Gr. 5)
42	736-0140	1	S	Fl-Wash. .385" I.D. x .62" O.D.
43	710-0599	1	/P	Hex Wash. Hd. Self-Tap Scr. 1/4-20 x .50" Lg.
44	712-0123	1	/P	Hex Nut 5/16-24 Thd.
45	710-0117	1	S	Hex Bolt 5/16-24 x 1.0" Lg.



146-842-190 Yard Boss GT-1845 (1986)
Speed Selector Assembly

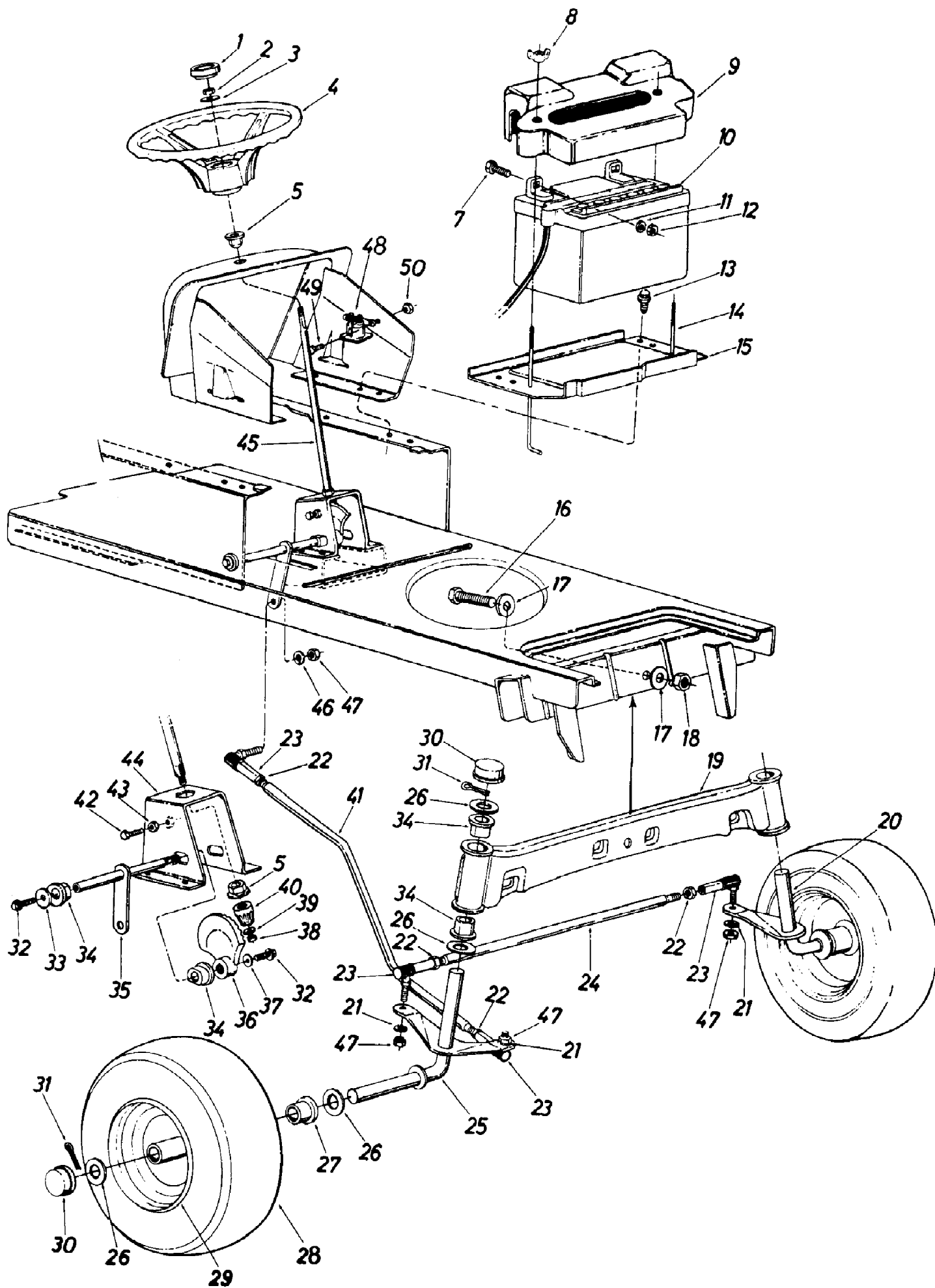
Page 16 of 26

Ref #	Part Number	Qty	S/P/F	Description
1	720-0165	1	S	Gear Shift Knob
2	16154	1		Speed Selector Cam
3	711-0778	1		Hex Stud .250" Dia. x .62"
4	736-0329	1	S	L-Wash. 1/4" I.D.
5	712-0287	1	S	Hex Nut 1/a-20 Thd.
6	736-0219	1	S	Bell-Wash. .400" I.D. x 1.13" O.D.
7	712-0116	1	S	Hex Ins. L-Nut 3/8-24 Thd.
8	712-0181	1	S	Hex Top L-Nut 3/8-16 Thd.
9	710-0642	1	/P	Hex Wash. Hd. S-Tap Scr. 1/4-20 x 75" Lg.
10	16155	1		Speed Selector Mtg. Brkt.
11	16156	1		Speed Selector Transfer Brkt.
12	712-0267	1	S	Hex Nut 5/16-18 Thd.
13	738-0147	1		Shld. Bolt .500" Dia. x .170
14	736-0331	1	/P	Bell-Wash. .39" I.D. x 1.13" O.D.
15	710-0152	1	S	Hex Bolt 3/8-24 x 1.00" Lg.
16	736-0267	1	S	FI-Wash. .385" I.D. x .87" O.D.
17	714-0507	1	S	Cotter Pin 3/32" Dia. x .75" Lg.
18	738-0140	1	S	Shld. Bolt .437" Dia. x .180
19	732-0433	1		Extension Spring .50" Dia. x 2.75" Lg.
20	738-0140	1	S	Shld. Bolt .437" Dia. x .180
21	16166	1		Speed Selector Link
22	712-0241	1	/P	Hex Nut 3/8-24 Thd."
23	736-0331	1	/P	Bell-Wash .39" I.D. x 1.13" O.D.
24	747-0504	1		Rod Speed Control .312" Dia.
25	738-0347	1	S	Shld. Spacer .625" I.D.
26	16163	1		Speed Cont. Transfer Swivel Brkt.
27	16161	1		Speed Control Transfer Ass'y.
28	736-0119	1	S	L-Wash. 5/16" I.D.*
29	712-0267	1	S	Hex Nut 5/16-18 Thd.
30	714-0115	1	S	Cotter Pin 1/8" Dia. x 1.00" Lg.
31	736-0187	1	/P	FI-Wash. .640" kD. x 1.24" O.D.
32	710-0599	1	/P	Hex Wash S-Tap Scr. 1/4-20 x .50" Lg.
33	13822	1		Idler Mtg. Brkt.
34	741-0295	1	S	Flanged Nyliner Brg. .376 I.D. x .437
35	16174	1		Mounting Brkt. Ass'y.
36	756-0324	1		Jack Shaft Ass'y.
37	710-0198	1	S	Hex Sems Bolt 5/16-18 x .75" Lg.
38	756-0328	1		Engine P9uliey 47 5" I.D. x 5.56" O.D.
39	754-0245	1	S	"V"-Belt 1/2" X 59.0" Lg.
40	754-0177	1	S	"V"-Belt 1/2" X 32.0" Lg.
41	726-0111	1	/P	Push Cap
42	747-0655	1		Rod 3/16" Dia. x 7.12" Lg.
43	710-0459	1	S	Hex Bolt 3/8-24 x 1.50" Lg.*
44	736-0267	1	S	FI-Wash. .385" I.D. x .87" O.D.
45	756-0293	1	S	Idler Pulley 4.0" O.D. x 5/8"- "V"
46	736-0169	1	S	L-Wash. 3/8" I.D.*
47	712-0241	1	/P	Hex Nut 3/8-24 Thd.*
48	736-0105	1	/P	Bell-Wash. .40" I.D. x .87" O.D.
49	748-0303	1		Spacer .38" I.D. x .62" O.D. x 1.87" Lg.
50	741-0257	1		Flanged Nyliner Brg.
51	16171	1		Idler Pivot Brkt. Ass'y.
52	736-0267	1	S	FI-Wash. .38" I.D. x .87" O.D.
53	710-0151	1		Hex Bolt 3/8-24 x 2.00" Lg.*

146-842-190 Yard Boss GT-1845 (1986)
Speed Selector Assembly

Page 17 of 26

Ref #	Part Number	Qty	S/P/F	Description
54	732-0185	1	S	Extension Spring .56" O.D. x 7.75" Lg.
55	714-0126	1	S	#9 Hi-Pro Key .316" x .75" Dia.
56	736-0176	1	S	FI-Wash. .505" I.D. x 1.0" O.D.
57	710-0642	1	/P	Hex Wash. Hd. S-Tap Scr. 1/4-20 x .75" Lg.
58	756-0455	1		Trans. Pulley & Fan Ass'y.



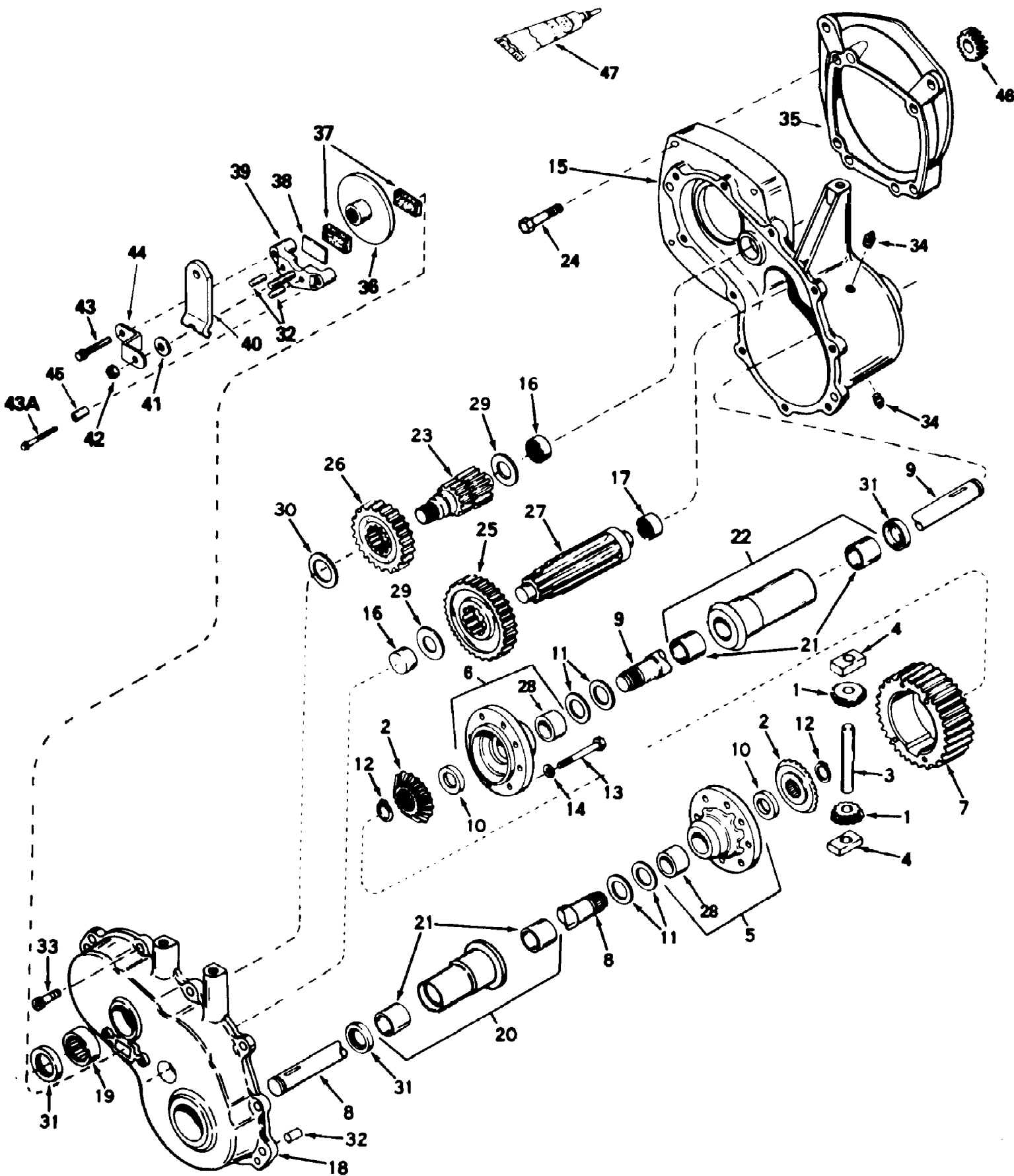
146-842-190 Yard Boss GT-1845 (1986)
Steering Assembly

Page 19 of 26

Ref #	Part Number	Qty	S/P/F	Description
1	731-0220	1	S	Steering Wheel Cap
2	712-0158	1	S/F	Hex Cent. L-Nut 5/16-18 Thd.
	712-0237	1	S/F	Hex Cent. L-Nut 5/16-24 Thd.
3	736-0242	1	/P	Bell-Wash. 5/16" I.D. x .87" O.D. x .060
4	731-0356	1	F	Steering Wheel
	731-0806	1	S/F	Steering Wheel
5	741-0225	1	S	Plastic Hex Bearing 5/8" I.D.
7	710-0258	1	S	Hex Scr. 1/4-20 x .62" Lg.
8	712-0113	1	S	Wing Nut Plastic 1/4-20 Thd.
9	731-0707	1		Battery Cover
10	725-0453	1	S	12-V Battery
11	736-0329	1	S	L-Wash. 1/4" Scr.
12	712-0287	1	S	Hex Nut 1/4-20 Thd.*
13	710-0599	1	/P	Hex Thd. Rolling Scr. 1/4-20 x.50" Lg.
14	711-0222	1	S	Battery Hold Down Rod
15	13379	1		Battery Plate
16	710-0533	1		Hex Scr. 5/8-18 x 2.50" Lg.
17	736-0282	1		Flat Wash. .66" I.D. x 2.25" O.D. x .17
18	712-0923	1	/P	Hex Cent. L-Nut 5/8-18 Thd.
19	13865	1		Front Pivot Bar Ass'y.
20	13839	1		Front Axle Ass'y. L. H .
21	736-0169	1	S	L-Wash. 3/8" Scr.
22	712-0711	1	/P	Hex Jam Nut 3/8-24 Thd.
23	723-0156	1	S	Ball Joint Ass'y.
24	747-0301	1		Tie Rod
25	13838	1		Front Axle Ass'y. R.H.
26	736-0316	1	S	FI-Wash. .780 I.D. x 1.59 O.D.
27	741-0312	1	S	Flange Bearing
28	734-1223	1		Front Wheel Ass'y. Comp.
	734-0275	1	/P	Tire Only
29	734-0787	1		Front Wheel Rim Only
	734-0255	1	S	Air Valve
	737-0146	1	S	Grease Fitting
30	731-0484	1	S	Dust Cover
31	714-0121	1	S	Cotter Pin 5/32" Dia. x 1.00" Lg.
32	710-0180	1	/P	Hex Scr. 3/8-24 x .75" Lg. Grade 5
33	736-0133	1	S	FI-Wash. 3/8 I.D. x 1.25 O.D. x .090
34	741-0199	1	S	Flange Double "D" Brg. .753 I .D.
35	12749	1		Steering Arm Shaft Ass'y.
36	748-0236	1		Side Gear Steering
37	736-0105	1	/P	Bell-Wash. 3/8" I.D.
38	712-0237	1	S	Hex Cent. L-Nut 5/16-24 Thd.
39	736-0264	1	S	FI-Wash. 5/16" I.D. x .62 O.D. x .059
40	748-0237	1	S	Pinion Gear Steering
41	747-0302	1		Drag Link
42	710-0670	1	/P	Hex Nylon Scr. 3/8-16 x 1.25"
43	712-0798	1	/P	Hex Nut 3/8-16 Thd.
44	12850	1	/P	Steering Gear Sup. Ass'y.
45	738-0317	1	F	Steering Shaft
	738-0697	1	F	Steering Shaft
46	736-0169	1	S	L-Wash. 3/8" Scr.
47	712-0241	1	/P	Hex Nut 3/8-24 Thd.
48	725-0771			

146-842-190 Yard Boss GT-1845 (1986)
Steering Assembly

Ref #	Part Number	Qty	S/P/F	Description
49	710-0289	1	S	Hex Bolt 1/4-20 x .50" Lg.
50	712-0271	1	/P	Hex Sems Nut 1/4-20 Thd.



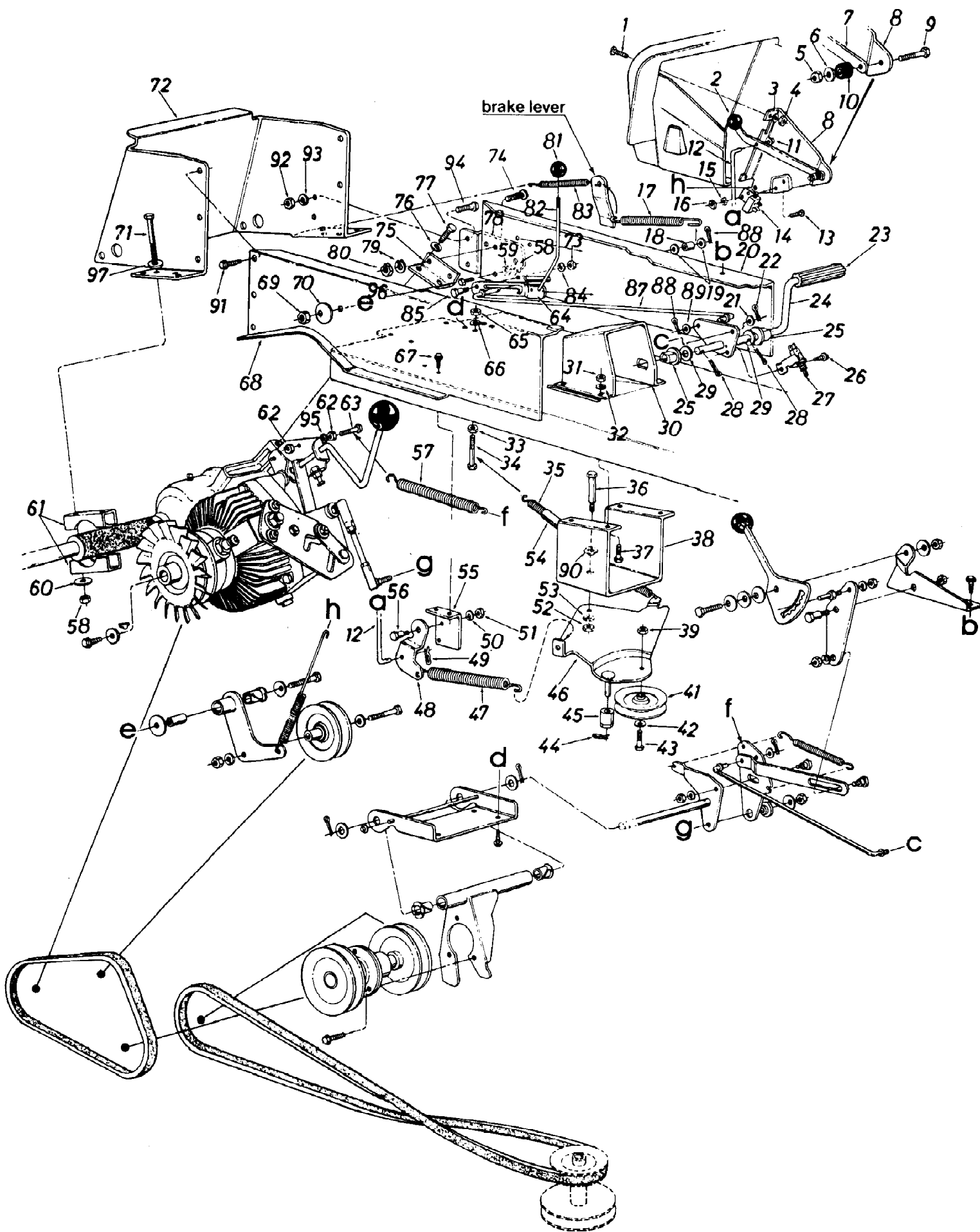
146-842-190 Yard Boss GT-1845 (1986)
Transaxle Assembly

Page 22 of 26

Ref #	Part Number	Qty	S/P/F	Description
1	PE-778094	1		Pinion, Bevel
2	PE-778095	1		Gear, Bevel
3	PE-786019	1		Pin, Drive
4	PE-786027	1		Block, Drive
5	PE-774609	1		Carrier Ass'y., Differential (Incl. No. 28)
6	PE-774610	1		Carrier Ass'y., Differential (Incl. No. 28)
7	PE-778033A	1		Gear, Ring
8	PE-774611	1		Axle (13-1/16" Long)
9	PE-774612	1		Axle (19-1/8" Long)
10	PE-780107	1		Washer
11	PE-780042	1		Washer, Thrust
12	PE-792018	1		Ring, Snap
13	PE-792005	1		Screw, Hex Hd., 1/4-20 X 2 1/4
14	PE-792006	1		Lock Washer, 1/4"
15	PE-770081	1		Case Ass'y. (Incl. Nos. 16 & 17)
16	PE-780013	1		Bearing, Needle
17	PE-780088	1		Bearing, Needle
18	PE-772085	1		Cover Ass'y. (Incl. Nos. 16 & 19)
19	PE-780089	1		Bearing, Needle
20	PE-782041A	1		Housing & Bushing Ass'y. (6-5/8" Long) (Incl. 2 of No. 21)
21	PE-780054	1		Bushing
22	PE-782067	1		Housing & Bushing Ass'y. (12-45/64" Long) (Incl. 2 of No. 21)
23	PE-776245	1		Shaft, Brake
24	PE-792120	1		Screw, Hex Hd., 3/8-16 x 2
25	PE-778036	1		Gear, Output
26	PE-778195	1		Gear, Idler
27	PE-776244	1		Shaft, Output
28	PE-780144	1		Bushing
29	PE-780001	1		Washer
30	PE-780090	1		Washer
31	PE-788008	1		Seal, Oil
32	PE-786026	1		Pin, Dowel
33	PE-792046	1		Screw, Hex Washer Hd. Thread Forming, 1/4-20 x 1
34	PE-792010	1		Plug, Pipe
35	PE-786112	1		Plate, Adapter
36	PE-790027	1		Disc, Brake
37	PE-790006	1		Pad, Brake
38	PE-790007	1		Plate, Brake Pad
39	PE-790025	1		Holder, Brake Pad
40	PE-790010	1		Lever, Brake
41	PE-792076	1		Washer, Flat
42	PE-792075	1		Lock Nut, 5/16-24
43	PE-792073	1		Screw, Flanged Hex Hd. Thread Forming, 1/4-20 x 1-1/4
43A	PE-792085	1		Screw, Flanged Hex Hd. Thread Forming, 1/4-20 x 2-1/4
44	PE-786086	1		Bracket

146-842-190 Yard Boss GT-1845 (1986)
Transaxle Assembly

Ref #	Part Number	Qty	S/P/F	Description
45	PE-786066	1		Spacer
46	PE-778196	1		Gear, Spur (18 Teeth)
47	PE-510334	1		Gasket Eliminator



Ref #	Part Number	Qty	S/P/F	Description
1	710-0286	1	/P	Truss Mach. Scr. 1/4-20 x .50" Lg.
2	720-0165	1	S	Knob Blade Clutch
3		1		UNKNOWN
4	712-0271	1	/P	Hex Sems Nut 1/4-20 Thd.
5	712-0107	1	S	Hex Cent. L-Nut 1/4-20 Thd.
6	736-0173	1	/P	FI-Wash. 1/4" I.D. x .75" O.D.
7	747-0513	1		PTO Lever
8	13950	1		Deck Clutch Control Brkt.
9	710-0106	1	/P	Hex Bolt 1/4-20 x .75" Lg.*
10	735-0126	1	S	Rubber Wash. .33" I.D. x .87" O.D.
11	726-0106	1	S	Push Cap 1/4" Rod
12	747-0307	1		Deck Control Rod
13	710-0473	1	/P	Truss Mach. Scr. #10-24 x .50" Lg.*
14	725-0465	1	S	Safety Switch (Deck)
15	736-0147	1	S	Ext. L-Wash. #10 Scr.
16	712-0121	1	S	Hex Nut #10-24 Thd.*
17	732-0475	1		Extension Spring .75" O.D. x 5.56" Lg.
18	750-0497	1		Spacer .375" I.D. x .625" O.D. x .445" Lg.
19	736-0267	1	S	FI-Wash. .385" I.D. x .87" O.D.
20	16443	1		Side Panel Upper Frame L.H.
21	736-0267	1	S	FI-Wash. .385" I.D. x .87" O.D.
22	714-0507	1	S	Cotter Pin 3/32" Dia. x .75"*
23	735-0196	1	S	Foot Pad
24	16164	1		Foot Pedal Brkt. Ass'y.
25	748-0209	1	S	Flange Brg. .630" I.D. x 1.25" O.D.
26	710-0599	1	/P	Hex Wash. Hd. S-Tap Scr. 1/4-20 x .50" Lg.
27	725-0268	1	S	Safety Switch
28	714-0115	1	S	Cotter Pin 1/8" Dia. x 1.00"*
29	736-0187	1	/P	FI-Wash. .640" I.D. x .24" O.D.
30	12850	1	/P	Steering Gear Support Ass'y.
31	712-0267	1	S	FI-Wash. .385" I.D. x .87" O.D.
32	736-0119	1	S	L-Wash. 5116" I.D.*
33	712-0287	1	S	Hex Nut 1/4-20 Thd.*
34	710-0510	1	/P	Hex Bolt 1/4-20 x 2.0" Lg.*
35	732-0308	1	S	Extension Spring .50" O.D. x 6.37" Lg.
36	738-0155	1	S	Shld. Bolt 7/16" Dia. x .16"
37	710-0376	1	/P	Hex Bolt 5/16-18 x 1.00"*
38	13826	1		Idler Mtg. Brkt. Deck
39	712-0181	1	S	Hex L-Nut 3/8-16 Thd.
41	756-0293	1	S	"V"-Idler Pulley
42	736-0300	1	S	FI-Wash. 3/8" I.D.
43	710-0342	1	S	Hex Bolt 3/8-16 x 1.75" Lg.
44	714-0104	1	S	Cotter Pin 5116" Rod
45	748-0278	1	S	Spacer
46	13893	1		Idler Brkt. Ass'y.
47	732-0478	1	S	Extension Spring Deck Control
48	13887	1	S	Deck Control Pivot Brkt.
49	714-0104	1	S	Cotter Pin 5/16" Rod
50	736-0119	1	S	L-Wash. 5/16" I.D.*
51	712-0267	1	S	Hex Nut 5/16-18 Thd.*
52	712-0267	1	S	Hex Nut 5/16-18 Thd.*
53	736-0119	1	S	L-Wash. 5/16" I.D.*
54	731-0483	1		Conduit .50" I.D. x 4" Lg.

146-842-190 Yard Boss GT-1845 (1986)
Transaxle Mounting Assembly

Page 26 of 26

Ref #	Part Number	Qty	S/P/F	Description
55	13833	1	S	Parking Brake Cam Mtg. Brkt.
56	738-0155	1	S	Shld. Bolt 7/16" Dia. x .16"
57	732-0384	1	S	Extension Spring
58	712-0798	1	/P	Hex Nut 3/8-16 Thd.*
59	736-0169	1	S	L-Wash. 3/8" I.D.
60	736-0331	1	/P	Bell-Wash .39" I.D. x 1.13
61	13892	1		Rear Axle Brkt.
62	712-0123	1	/P	Hex Nut 5/16-24 Thd.*
63	710-0624	1	/P	Hex Bolt 5/16-24 x 1.5" (Special)
64	16170	1		Parking Brake Cam
65	712-0287	1	S	Hex Nut 1/4-20 Thd.*
66	736-0329	1	S	L-Wash. 1/4" I.D.*
67	710-0599	1	/P	Hex Wash. Hd. S-Tap Scr. 1/4-20 x .50" Lg.
68	16150	1		Side Panel Upper Frame R. H.
69	712-0241	1	/P	Hex Nut 3/8-24 Thd.*
70	736-0227	1	S	FI-Wash. .39" I.D. x 1.5" O.D.
71	710-0316	1		Hex Bolt 3/8-16 x 3.50" Lg.*
72	13813	1		Hitch Plate
73	712-0798	1	/P	Hex Nut 3/8-16 Thd.*
74	710-0617	1		Rd. Hd. Ribbed Neck Bolt 3/8-24 x 1.0" Lg.
75	16152	1		Mounting Brkt. Transaxle
76	736-0169	1	S	L-Wash. 3/8" I.D.*
77	710-0514	1	/P	Hex Bolt 3/8-16 x 1.00" Lg. (Grade 5)
78	16169	1		Reinforcement Plate Frame
79	736-0169	1	S	L-Wash. 3/8" I.D.*
80	712-0241	1	/P	Hex Nut 3/8-24 Thd.*
81	720-0166	1	/P	Gear Shift Knob
82	747-0672	1		Parking Brake Link
83	732-0409	1	S	Extension Spring .38" O.D. x 3.18" Lg.
84	712-0798	1	/P	Hex Nut 3/8-16 Thd.*
85	738-0147	1		Shld. Bolt .500" Dia. x .170
87	747-0505	1		Rod Brake .38" Dia. x 1 9.3" Lg.
88	714-0507	1	S	Cotter Pin 3/32" Dia. x .75
89	736-0267	1	S	FI-Wash. .385" I.D. x .87"
90	736-0141	1	S	Wave Wash.
91	710-0726	1	/P	Hex AB-Tap Scr. 5/16 x .75"
92	712-0123	1	/P	Hex Nut 5/16-24 Thd.*
93	736-0119	1	S	L-Wash. 5/16" I.D.*
94	710-0157	1	/P	Hex Bolt 5/16-24 x .75" Lg.*
95	736-0119	1	S	L-Wash. 5/16" I.D.*
96	710-0216	1	/P	Hex Bolt 3/8-16 x .75" Lg.*
97	736-0262	1	/P	FI-Wash. .385" I.D. x .870" O.D.